

Trevoli GC Series

Part No.	hp	kW	Outlet	Phase	Voltage	Max Solid
GC-07	0.5	0.7	32mm	1	220-240	N/A
GC-10	0.7	1.0	32mm	1	220-240	N/A

DESCRIPTION

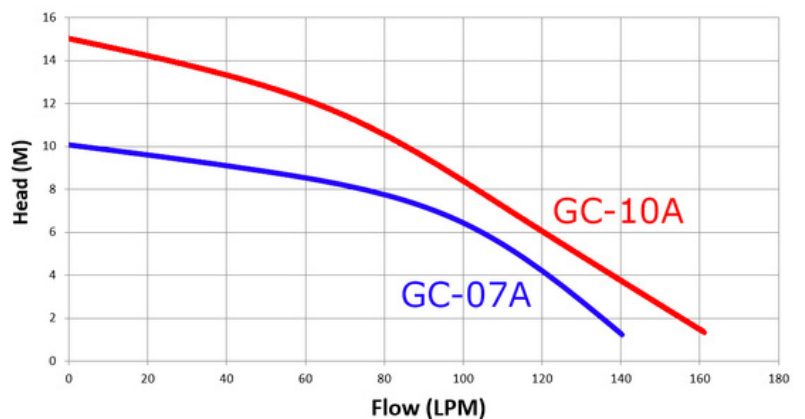
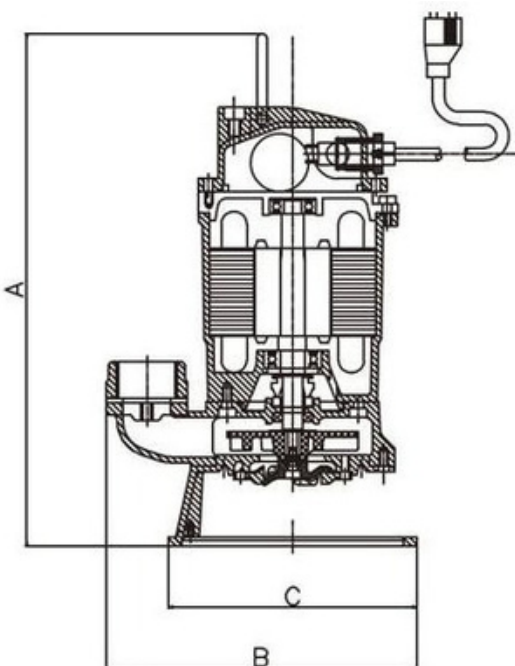
The Trevoli GC Series are compact heavy duty cutter/macerator pumps available in two models. Suitable for use as an Effluent Pump, Dirty Water Pump, Drainage Pump, Septic and Aerated sewage treatment Pump.

FEATURES

- High head
- Cutter material: SUS440C
- Double mechanical seal
- Heavy duty design
- Cast iron body
- Cast iron seal plate
- Efficient vortex flow channel design

TECHNICAL FEATURES

- Temperature Range: 0-40°C
- Motor Insulation: B Class
- IP68
- 50 Hz



Dimensions

Model	A	B	C	Weight
GC-07	351mm	213mm	170mm	10kg
GC-10	410mm	270mm	205mm	15kg